

Read and follow the instructions contained within carefully before use. Retain this guide in a safe and easily accessible place for future reference.

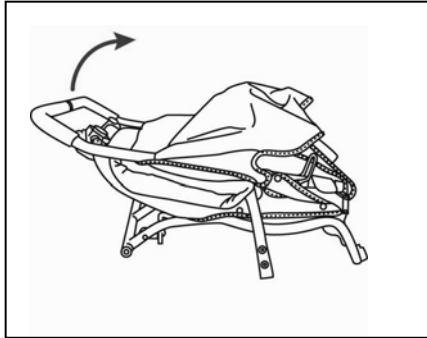


SERIES

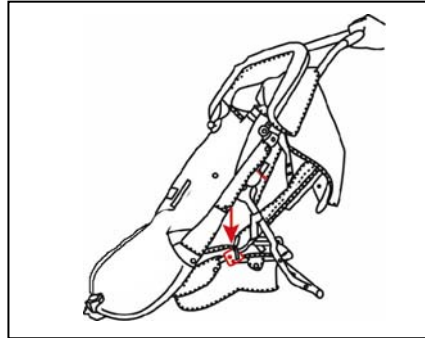
Thank you for purchasing a quality VALCO product. Due to our policy of continuous product development, this product is constantly evolving. It is possible that some features or procedures outlined here have changed since this document was written. If you are unsure of any procedure outlined here please contact the store from which you purchased it to obtain the most up to date information, or contact us via the internet. See relevant web contact addresses on the back page.

Stroller Assembly/Opening

Remove the stroller from the carton and dispose of all packaging immediately including the black rubber protectors on either side of the brake bar and front wheel protector. The front wheel forks, rear wheels, front bar and hood all need to be installed prior to use.



1. Lay the stroller flat on the floor and carefully cut the cable tie which holds the frame.
2. Lift the handle upward to a vertical position.



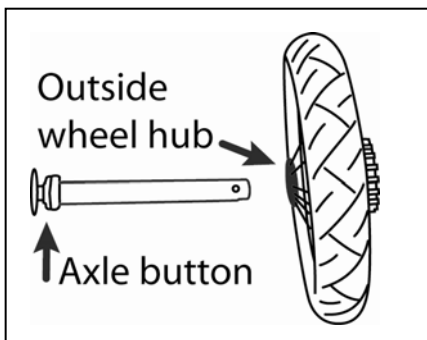
1. Lift the front wheel housing upward so that the stroller frame unfolds from beneath.
2. Press down on the locking hinge with your hand or foot.



1. Secure the frame closed by swinging the fold latches (located on both sides of the frame) and fully engaging them tightly onto the frame.

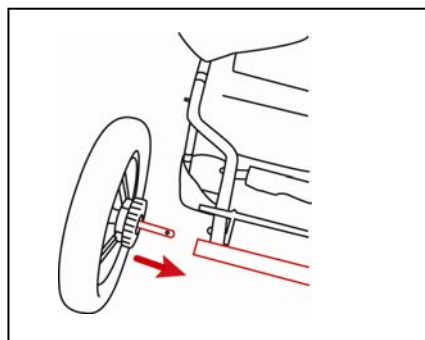
IMPORTANT WARNING: Always test that all latches are securely engaged before use.

Installing/Removing the rear wheels

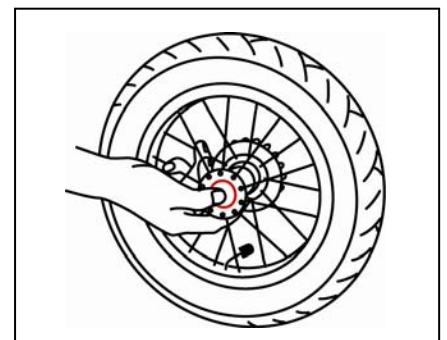


1. Pressing on the centre hub button, insert the SQR axle through the outside of the metal hub in each wheel.

IMPORTANT: Insert through outside of the wheel - the side which does NOT have the nylon brake cog)

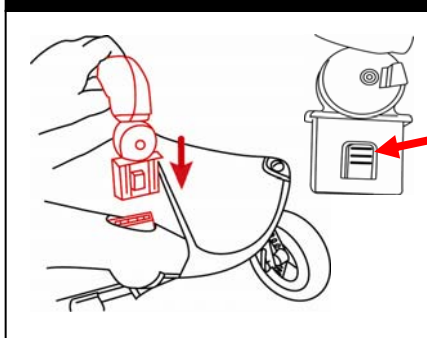


1. Pressing the axle button, insert the protruding long axle into the opening in the tube at the rear of the stroller chassis.
2. Repeat this procedure for the other side.



1. To remove the wheel simply press the axle button in the centre of the wheel hub and simultaneously pull the wheel outward.

Your front bar

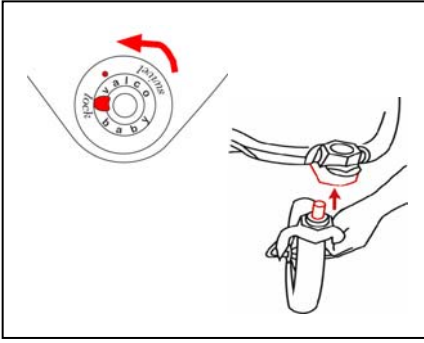


If your brakes do not engage, check to see that the nylon brake cogs are on the **INSIDE** of each wheel when it is attached to the chassis. If not, remove the wheel and SQR axle and re-insert the SQR axle from the other side of the wheel, so that the cog will be on the inside of the wheel.

1. Remove the plugs from the nylon housing at either side of the stroller frame by pressing each inner "release button" and pulling the plug upward.
2. Insert the bar ends into the nylon housing located on either side of the frame. Be sure that the bar is securely engaged
3. Adjust the front bar by simultaneously pressing the 2 red buttons and swivelling the bar (forward or backward) to the desired position.
4. **To remove the front bar:** Feeling the side of the nylon housing that sits below the frame at each side (facing inward), locate the release "button."
5. Press the release button inward while simultaneously pushing upward on the bar housing. Repeat for the other side.

IMPORTANT WARNING: The front bar **IS NOT** a restraining device.

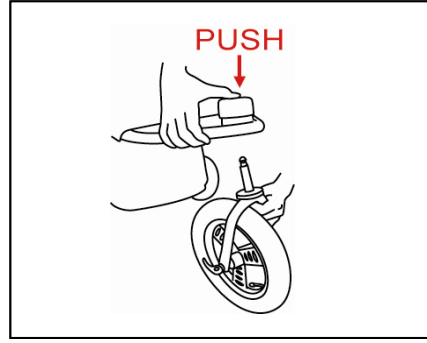
Installing/Removing and using the front wheel forks



Your Runabout stroller utilizes our unique and revolutionary new **TRI-MODE™** front swivel system:

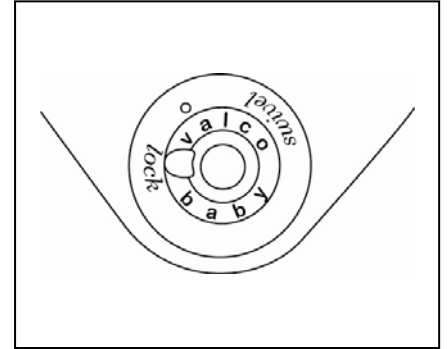
1. To install the front fork, rotate the TRI-MODE selection dial to the centre (45°) position.
2. Tilt the stroller frame upward on the rear wheels.
3. Insert the fork shaft into the TRI-MODE housing till it "clicks" into place.

IMPORTANT: Always test that the fork is securely engaged in the housing.



To remove the front fork:

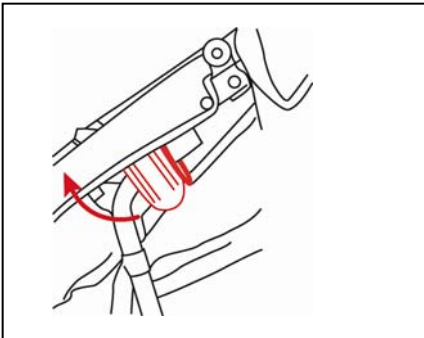
1. Rotate the TRI-MODE selection dial to the centre (45°) position.
2. Tilt the stroller frame upward on the rear wheels.
3. Press the centre release button. The fork will then be released.



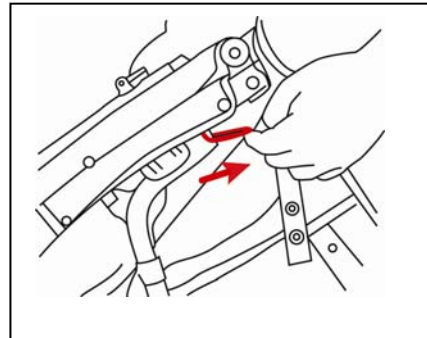
The unique **TRI-MODE™** swivel system is as flexible as it is functional over a variety of terrains and uses.

1. **LOCK:** This position is best for use on extremely rough or soft terrain such as sand etc which inhibit wheel swivel. To lock your wheel, rotate the dial to the "LOCK" position. Swivel the wheel around till it locks into position.
2. **Q:** The central position locks the wheel into a tight 45° swivel arc. This provides more stability for use with a toddlerseat or when going down inclines.
3. **SWIVEL:** This position allows full, unfettered swivel action.

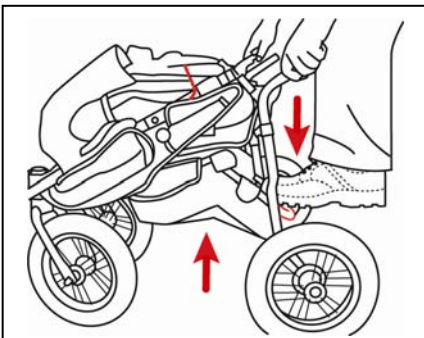
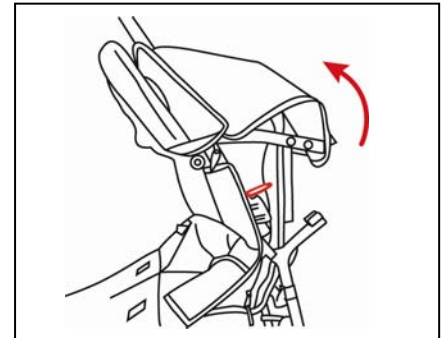
Folding/Opening your stroller



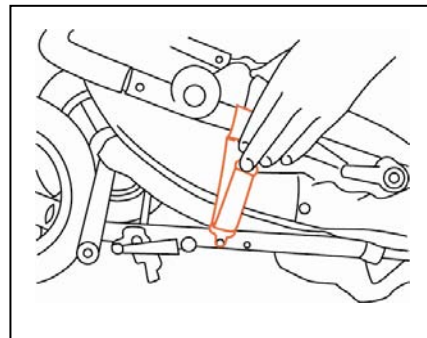
1. Fold the hood back up against the handle.
2. Release the locking clamps at either side of the stroller.



3. Simultaneously lift the secondary safety catch and swing the handle forward.



4. Holding the frame at the rear, press down with your foot on the rear basket tube. This will disengage the side hinge locks.
5. Continue pushing the rear of the basket, moving the rear wheels forward beneath the frame.



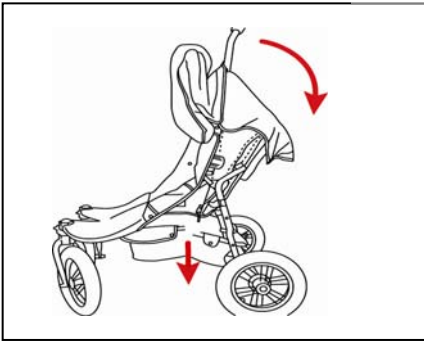
6. You can lock the frame closed by stretching the locking strap over the frame, placing the metal catch over the rivet on the chassis



1. **To open**, unhook the frame locking strap reversing the previous step.
2. Holding on to the side of the footrest, with your foot stopping the rear wheels, lift the handle so that the frame begins to unfold.

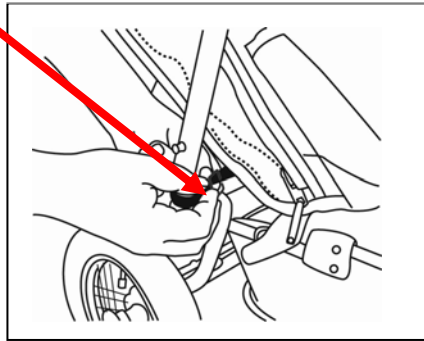
Adjusting your seat – zip/belt System (selected units)

NOTE: Before using your stroller, be sure to attach the tether straps around the stroller frame by feeding the strap through the slit in the steel buckle. While not essential for safety, these help reduce the motion of the seat within the stroller frame.



3. Press down on the side locking hinges (on the basket) to lock the frame in the open position.
4. Secure the handle to the frame by engaging the locking clamps on both sides.

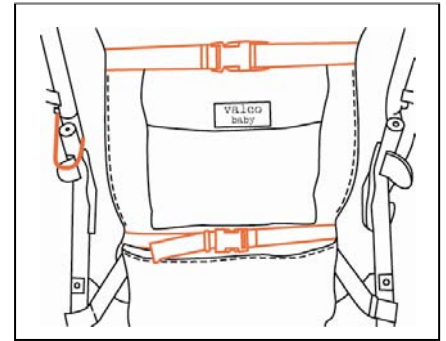
NOTE: Special care must be taken when adjusting the seat position with a child in the stroller. Before adjusting the zippers, place your hand beneath the seat at its current position and lift it slightly. This will relieve pressure on the zippers and make them easier to adjust.



Your seat can be adjusted to 4 positions using the zip system

1. To recline, pull one of the zippers located on the seat side downward.
2. Do the same to the corresponding zipper on the other side of the seat
3. For more recline, release more zippered sections.
4. For seat incline simply reverse this procedure.

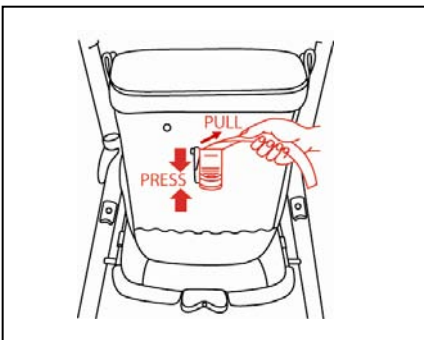
BE SURE THAT ALL ZIPPERS ARE OPENED/CLOSED FULLY BEFORE USE.



In addition to the 4 adjustment positions using the zip system, your stroller has an additional 5th position which raises the seat to an even more upright sitting position.

1. With all zippers fully closed, lift the seat back further upward with your hand.
2. Secure the seat with the two sets of straps (one at the top and one at the bottom of the seat back), inserting each buckle into the corresponding buckle housing in the matching strap.

“no zip” recline (selected units)



The new “no zip” recline offers an almost infinite amount of seat adjustments:

1. **RECLINE:** While squeezing the centre release mechanism in a pincer action, ease the seat down to the desired position.
2. **INCLINE:** Place your hand in the centre of the rear of the seat.
3. Pull the incline strap while gently pushing on the rear of the seat until the desired position has been reached.

ALWAYS TEST that the seat is securely locked in place.

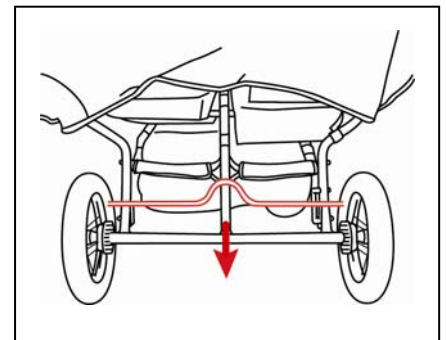
Installing your hood



1. Place the plastic hood housings over the corresponding housing on either side of the stroller frame.
2. Align the straight track on the stroller housing with the corresponding “hole” in the hood housing.
3. Slide the hood housing downward, over the track, so that it completely engages onto the stroller frame.

IMPORTANT: Always check that the brake has fully engaged

Using your brakes



There are two available brake systems available for the Runabout Tri Mode series:

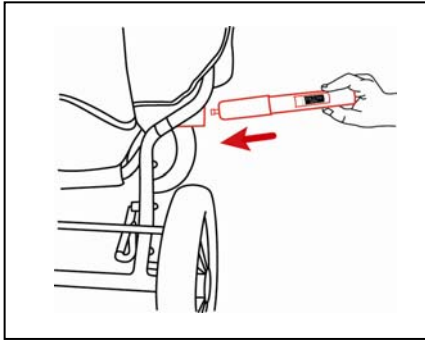
STANDARD BRAKE (pictured)

1. Press down on the centre of the brake bar until the bar ends engage in the nylon brake cogs on the wheel.
2. To disengage, lift the brake bar upward till it locks in the upright position.

CONCEALED BRAKE:

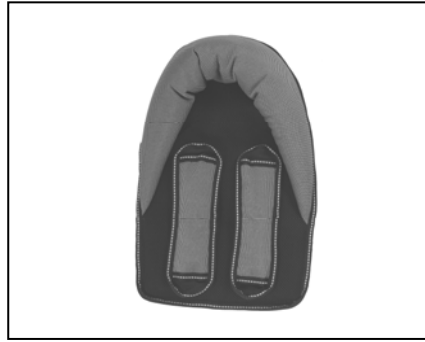
1. Press the centre toggle down firmly with your foot until you feel the wheels have locked.
2. To release, lift the centre toggle from beneath with your foot.

EXTRAS



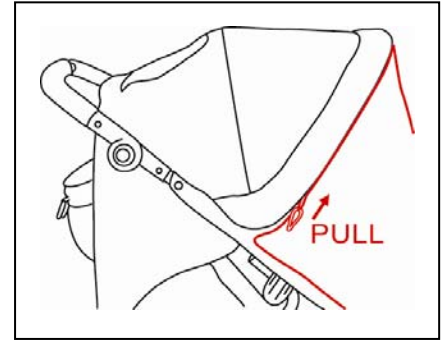
Your Runabout is equipped with a tire pump that hangs in a special pocket found sewn beneath the seat at the rear.

Your tires should be kept at a pressure of **40 p.s.i.** Under inflated tyres can cause excessive and uneven tire wear, greater susceptibility to punctures and greater difficulty in smooth operation.



Your Runabout is equipped with a removable "Head Hugger" and shoulder harness covers. The "Head Hugger" is designed to optimize the comfort of newborn babies within the stroller. The shoulder straps increase your child's comfort levels when in the harness as well as keeping harness adjusters away from busy fingers.

Optional Extra on most models



Your Runabout hood is fitted with a zip system to which attaches our unique silver insect mesh (**optional extra** on most models)

This protective mesh has been tested and proven to block out up to **80%*** of UV rays

(* tested to Australian Standard 4399)

AIRGO™ SYSTEM

Your Runabout has been designed to maximise air flow within the stroller by way of our exclusive Airgo™ system. This unique system combines a special breathable seat fabric, with our new flexible hood. The hood incorporates a built in storage bag, designed to zip off when more air flow is required, to reveal an additional mesh air vent. The bag is designed "to go" or can be easily hung from the stroller handle.



Using your harness

Your Runabout stroller is fitted with our unique new multi point safety harness system. Your child **MUST** always be harnessed while in the stroller.

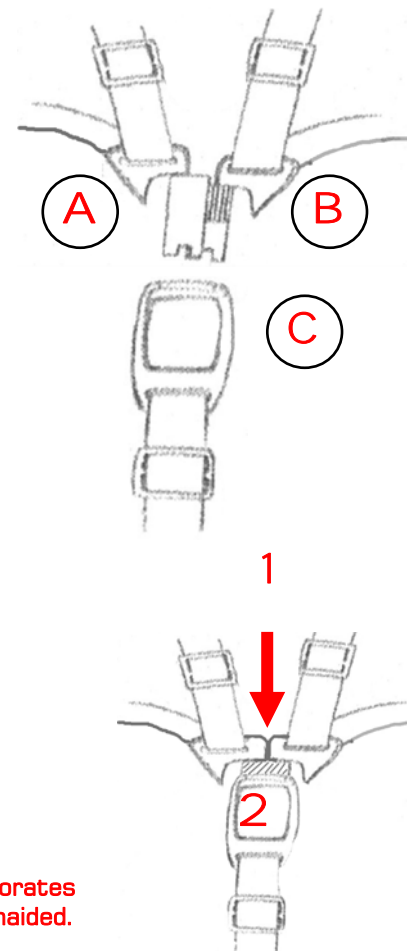
TO SECURE YOUR CHILD IN THE HARNESS:

1. Overlap buckles (A) and (B) so that they fit together to form one complete buckle.
2. Insert the completed buckle into the Buckle Housing (C) until it engages securely in place.
3. Carefully adjust the harness straps to snugly fit your child by adjusting the Sliders located on all Shoulder Straps, Waist Straps and the Crotch Strap.
4. Your harness can be adjusted for even more comfort for smaller or larger children (at the top of the seat back and front of the seat) by threading/removing the crotch or shoulder straps through the webbing sewn into the seat. You will need to detach the waist straps at the sides of the stroller in order to do so. (**To detach the waist straps:** With a pincer movement, depress the centre buckle button and pull the strap free from the housing.)
5. To prevent older children tampering with the strap adjustments and for greater child comfort, your **RUNABOUT** stroller is provided with 2 soft strap covers for each harness. To fit, detach the waist straps at the sides of the stroller (as in point 4) and thread the strap through the strap cover. Re-attach each strap.

The harness should be snugly fitted to the baby's body, tight enough so that the baby cannot wriggle itself free of the straps but loose enough so as not to cause the baby any discomfort.

TO OPEN YOUR HARNESS:

1. Press down on the Buckle Prongs (1).
2. Simultaneously push the release button in the centre of the buckle (2)
3. Pull the buckles from the Buckle Housing.



Your harness system has been designed to meet very stringent safety standards and incorporates our unique secondary action. This helps ensure that your child cannot release the harness unaided.

OPTIONAL/ADDITIONAL ACCESSORIES



Toddlerseat

Available in versions for both Single and Twin Runabout models, the optional toddlerseat sits firmly inside the chassis. Perfect for twins and an older sibling (Twin model) or when a new baby comes along and junior still likes to go for a ride! Both Twin and single models even fold totally out of the way with the stroller! See your local specialist retailer for more info and suitability.



Sunstopper (Universal fit)

The unique SUNSTOPPER provides the ultimate protection from the sun's harsh rays, while providing a comfortable open environment for the child. The roll up blind system means that the child can be shielded from the sun without being fully enclosed, and folds up into its own self enclosed pouch for easy storage.



Bottle/Cup Holder (Universal fit)

The revolutionary VALCO BABY cup/bottle holder was designed for the busy lifestyle of today's parents and carers. With the specially designed holding section big enough to accommodate up to a 1.5 litre bottle or those big coffee cups, refreshment is always within easy reach!



UV Protective Insect Net

Our unique insect net zips directly in to the inside of your RUNABOUT Tri Mode hood. In addition to keeping baby cool, comfortable and safe from insects, it also blocks up to a massive **80%*** of the sun's harmful **UV** rays.

(* tested to Australian Standard 4399)



Boot cover

The generous proportions of this fleecy lined boot keep your child warm and protected from the elements while offering a sense of space without constriction.



Foot Muff

With tailored slots for the harness system, the fleecy lined muff keeps your child comfortable in cool conditions, while the top zips off to convert it to a comfy stroller pad.



Travel Storage Bag

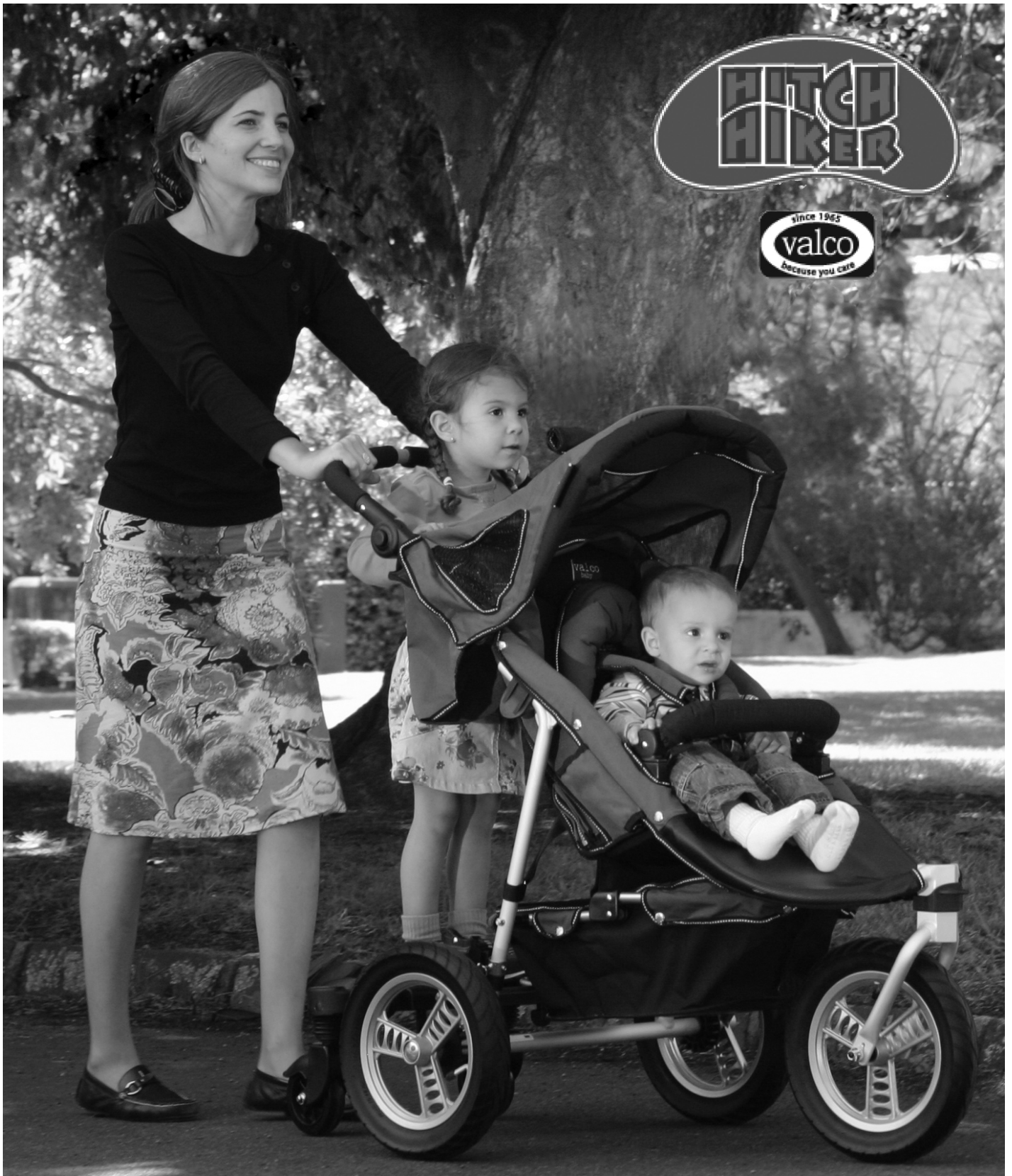
Available in BLACK only, the travel bag is specifically tailored to the RUNABOUT model and provides sections and compartments for all the components including wheels, axles etc.



4 Season Foot Muff

With all the features of the standard model, the 4 season model includes a zip out top section which reveals our unique **80%*** UV protective net. This allows even more cool and regulated airflow in warmer conditions.

OPTIONAL ACCESSORIES



The VALCO **HITCHHIKER** is a boon to any parent with a child who is old enough to walk but young enough to need to rest along the way. Made of high quality and extremely sturdy materials (maximum weight **30 kg's / 66 lb's**), the **HITCHHIKER** is easily adjustable for height, width and distance from the stroller which makes it fit most brands, makes and models of strollers. The handy "hang up" system means it can hang out of the way when not in use, while the unique quick release systems allows for quick and easy removal.

All this and more makes the **HITCHHIKER** the perfect option for that "in between" age child. See your local specialist retailer for more information.



WARNINGS



Your child's safety is your responsibility

Be sure to check that all clamps and buckles are securely fixed and in place before use. Check all parts for breakage or fatigue before use. Discontinue **immediately** if any part is found to be damaged or broken.

The **maximum** weight of the child for which this stroller is intended is 22 kg's (48 lbs)

The **maximum** height of the child for which this stroller is intended is 106 cm (42 in)

This product will become unstable if the recommended load is exceeded.

Can be used from birth +. A cocoon specially designed to be used with a stroller is recommended when any fully reclining stroller is used with a newborn.

NEVER jog with a newborn baby in any pram or stroller until the child can sit up unassisted (approximately 6 months).

ALWAYS ensure that the child is clear of all moving parts when adjusting the stroller.

ALWAYS beware of little fingers when folding or unfolding your stroller to prevent finger entrapments.

ALWAYS engage the brake system when the stroller is at rest.

NEVER leave any child unattended in the stroller.

NEVER use on escalators or stairs.

When in the stroller the child must **ALWAYS** wear the safety harness, correctly fitted and adjusted, at all times.

DO NOT hang shopping bags from the handle as this may affect the stroller's stability.

Always use the basket provided, the **maximum** weight in the basket is 6 kg's (13 lbs)

Do not carry additional children. It may be unsafe to use any accessories other than VALCO approved ones.

ALWAYS be aware of the risks provided by fire and other significant sources of heat such as radiators etc. which may be in the immediate vicinity of your stroller.

This product is intended for domestic use only. It is not intended for commercial use.

Continued and extended exposure to sunlight and the elements can change the colours of many materials. To avoid fading, always cover and store in a shaded area.

Caring for your stroller

Moving parts may be lubricated with silicone based lubricants – do not use oil. Regularly check wheels for loose spokes – tighten as necessary.

Your Runabout chassis is made of aluminium alloy but does include some metal parts. Special care must always be taken to avoid rust. If this pram is used near the ocean or salty air environments, spray the chassis and seat frame with water and dry thoroughly. This is particularly important for parts such as wheel **spokes** and **springs**. We recommend rust inhibiting product should be applied to prevent accelerated rust and fatigue of these metal parts!

We recommend that you wipe down axles and lubricate the wheels every 3 months, particularly the front wheel and housing. Sand and dirt can grind down axles so, if you live, walk or run near/on the beach or in a dusty environment, you must remove and wipe down the axles and wheels, then lubricate them **MONTHLY**.

AXLES AND MOVING PARTS ARE BEST LUBRICATED WITH SILICONE BASED PRODUCTS. DO NOT USE OIL BASED PRODUCTS.

valco
baby

In Australia/NZ

www.valco.com.au
www.valco.co.nz

In North America

www.valcobaby.com
1 800 610-7850